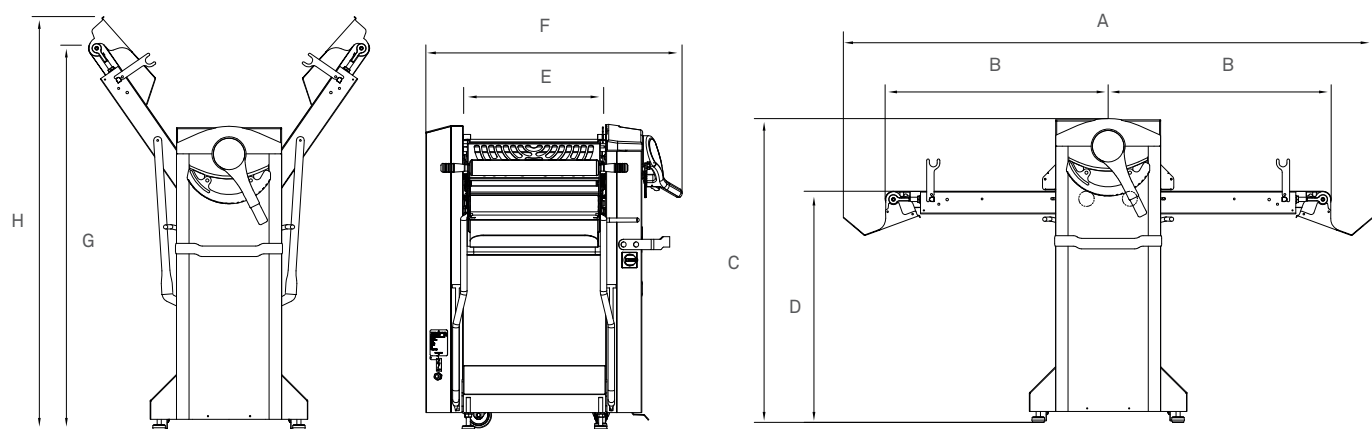
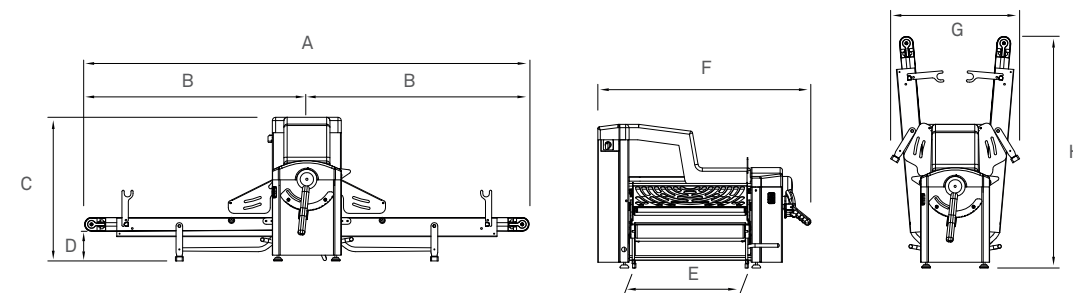


Technical data

[Easy 510 bench >](#)

[Easy 507 >](#)



Technical data Easy	U.M.	EASY 507 BENCH	EASY 510 BENCH	EASY 507	EASY 510	EASY 512
Dimensions belt ExB (measured from the roll's center)	mm	495x847	495x1000	495x850	495x1000	495x1200
Dimensions on work AxCxDxF	mm	1694x650x195x960	2000x650x195x960	2174x1156x880x965	2480x1156x880x965	2880x1156x880x965
Dimensions at rest FxGxH	mm	960x590x890	960x590x1041	960x1500x1575	965x1723x1800	965x1911x1989
Packaging dimensions	cm	115x80x145H		115x120x180H		
Net weight machine	kg	130	135	205	210	220
Weight machine + packaging	kg	155	162	240	249	260
Rated power supply	kW					0,55
Supply voltage	V	220 / 380 / 415 / 440 / 460 / 480				
Frequency	Hz	50 - 60				
Electrical phases		3	3	3	3	3
Belt speed	cm/s	60 cm/s (standard) - 12-60 cm/s con variatore energy saving				

Technical data Easy	U.M.	EASY 610	EASY 612	EASY 614	EASY 616	
Dimensions belt ExB (measured from the roll's center)	mm	595x1000	595x1200	595x1400	595x1600	
Dimensions on work AxCxDxF	mm	2480x1156x880x1065	2880x1156x880x1065	3280x1156x880x1065	3680x1156x880x1065	
Dimensions at rest FxGxH	mm	1065x1723x1800	1065x1911x1989	1065x2100x2178	1065x2290x2368	
Packaging dimensions	cm	115x120x180H				
Net weight machine	kg	240	245	250	255	
Weight machine + packaging	kg	280	285	290	295	
Rated power supply	kW					0,75
Supply voltage	V	220 / 380 / 415 / 440 / 460 / 480				
Frequency	Hz	50 - 60				
Electrical phases		3	3	3	3	
Belt speed	cm/s	60 cm/s (standard) - 12-60 cm/s with energy saving				

Алматы (7273)495-231
Ангарск (3955)60-70-56
Архангельск (8182)63-90-72
Астрахань (8512)99-46-04
Барнаул (3852)73-04-60
Белгород (4722)40-23-64
Благовещенск (4162)22-76-07
Брянск (4832)59-03-52
Владивосток (423)249-28-31
Владикавказ (8672)28-90-48
Владимир (4922)49-43-18
Волгоград (844)278-03-48
Вологда (8172)26-41-59
Воронеж (473)204-51-73
Екатеринбург (343)384-55-89

Иваново (4932)77-34-06
Ижевск (3412)26-03-58
Иркутск (395)279-98-46
Казань (843)206-01-48
Калининград (4012)72-03-81
Калуга (4842)92-23-67
Кемерово (3842)65-04-62
Киров (8332)68-02-04
Коломна (4966)23-41-49
Кострома (4942)77-07-48
Краснодар (861)203-40-90
Красноярск (391)204-63-61
Курск (4712)77-13-04
Курган (3522)50-90-47
Липецк (4742)52-20-81

Россия +7(495)268-04-70

Магнитогорск (3519)55-03-13
Москва (495)268-04-70
Мурманск (8152)59-64-93
Набережные Челны (8552)20-53-41
Нижний Новгород (831)429-08-12
Новокузнецк (3843)20-46-81
Новыйрск (3496)41-32-12
Новосибирск (383)227-86-73
Омск (3812)21-46-40
Орел (4862)44-53-42
Оренбург (3532)37-68-04
Пenza (8412)22-31-16
Петрозаводск (8142)55-98-37
Пермь (8112)59-10-37
Пермь (342)205-81-47

Казахстан +7(7172)727-132

Ростов-на-Дону (863)308-18-15
Рязань (4912)46-61-64
Самара (846)206-03-16
Санкт-Петербург (812)309-46-40
Саратов (845)249-38-78
Севастополь (8692)22-31-93
Саранск (8342)22-96-24
Симферополь (3652)67-13-56
Смоленск (4812)29-41-54
Сочи (862)225-72-31
Ставрополь (8652)20-65-13
Сургут (3462)77-98-35
Сыктывкар (8212)25-95-17
Тамбов (4752)50-40-97
Тверь (4822)63-31-35

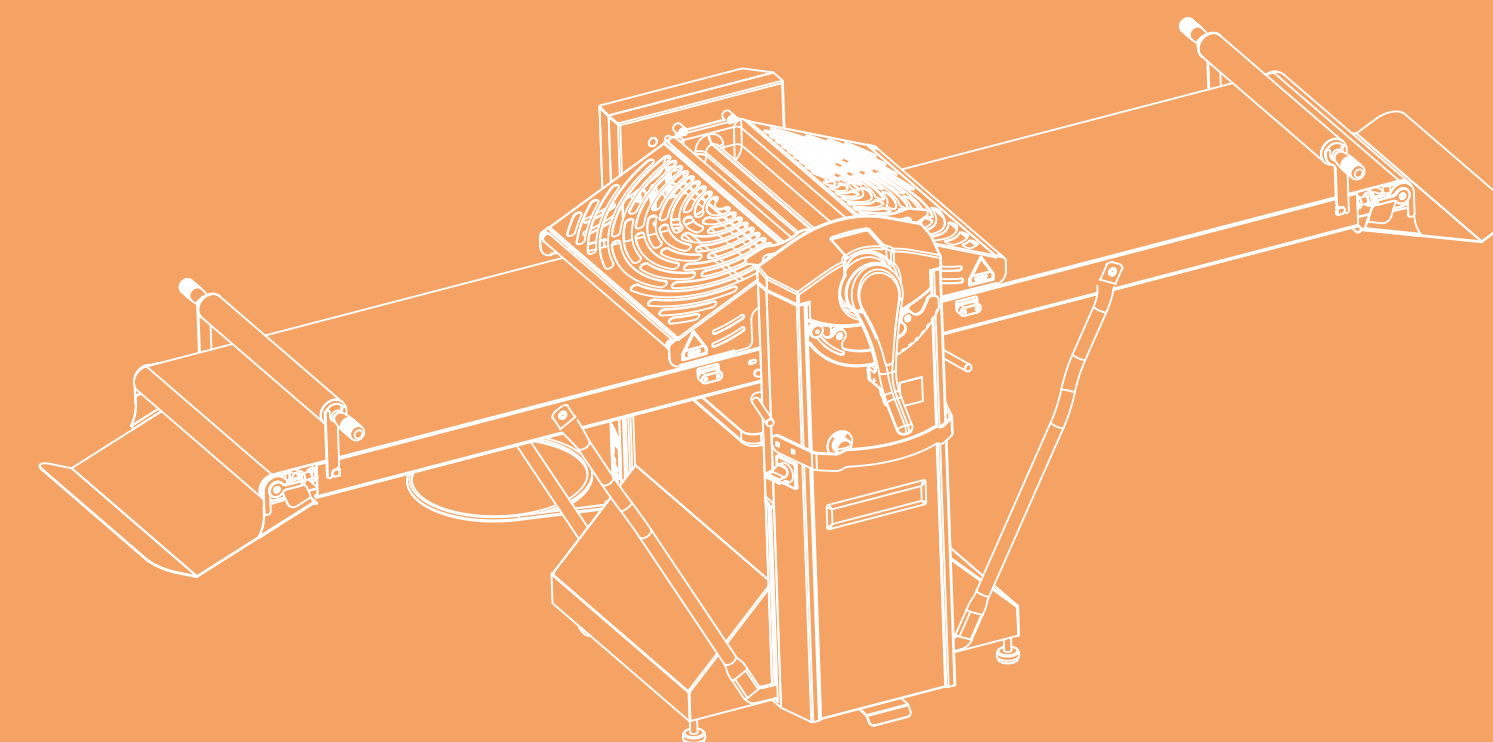
Киргизия +996(312)96-26-47

Тольятти (8482)63-91-07
Томск (3822)98-41-53
Тула (4872)33-79-87
Тюмень (3452)66-21-18
Ульяновск (8422)24-23-59
Улан-Удэ (3012)59-97-51
Уфа (347)229-48-12
Хабаровск (4212)92-98-04
Чебоксары (8352)28-53-07
Челябинск (351)202-03-61
Череповец (8202)49-02-64
Чита (3022)38-34-83
Якутск (4112)23-90-97
Ярославль (4852)69-52-93

Easy 8 Tablette

Sheets perfectly done

MADE IN ITALY



Tekno Stamap

Technology boosting creativity

<https://teknostamap.nt-rt.ru/> || tpd@nt-rt.ru

EN

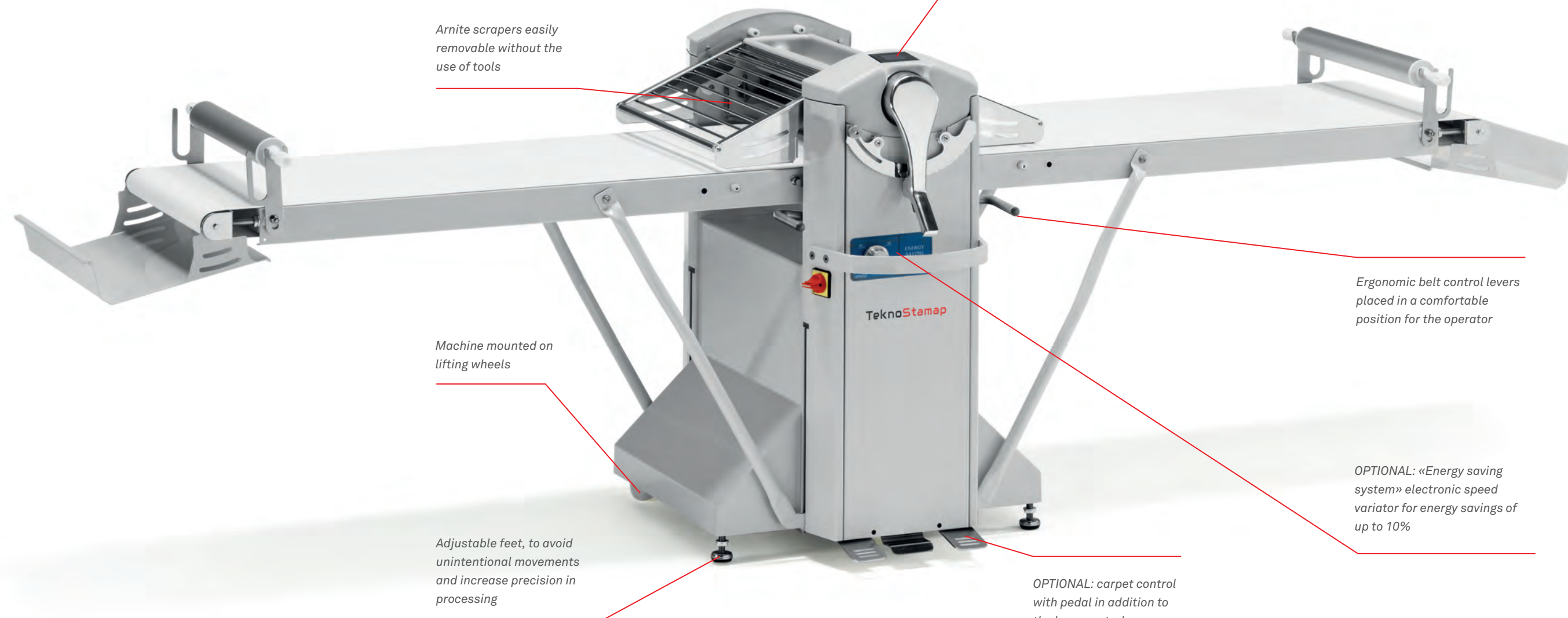
Easy & Tablette

Manual sheeters

SHEETS PERFECTLY DONE

The EASY and TABLETTE dough sheeters have been specifically designed for small laboratories that need an easy, reliable, economic and quality product. The small overall dimensions and the possibility of always folding the machine at the end of each day of use allow you to increase flexibility in your laboratories without compromising on quality and precision in processing. Furthermore, with the new display, reading the cylinder opening quota will be simple and immediate even for the less experienced.

With TABLETTE, the ultra-compact dimensions allow the use also in the kitchens of restaurants and hotels, where this machine fits perfectly, managing to sheet the dough with professional quality and keeping the maximum overall dimensions under the meter.



Easy

Simple and reliable

Display with the cylinder opening dimension for maximum precision in each process

Arrite scrapers easily removable without the use of tools

Machine mounted on lifting wheels

Adjustable feet, to avoid unintentional movements and increase precision in processing

Ergonomic belt control levers placed in a comfortable position for the operator

OPTIONAL: «Energy saving system» electronic speed variator for energy savings of up to 10%

OPTIONAL: carpet control with pedal in addition to the lever control

Ideal for sheeting even reduced thicknesses of dough

Алматы (7273)495-231
Ангарск (3955)60-70-56
Архангельск (8182)63-90-72
Астрахань (8512)99-46-04
Барнаул (3852)73-04-60
Белгород (4722)40-23-64
Благовещенск (4162)22-76-07
Брянск (4832)59-03-52
Владивосток (423)249-28-31
Владикавказ (8672)28-90-48
Владимир (4922)49-43-18
Волгоград (844)278-03-48
Вологда (8172)26-41-59
Воронеж (473)204-51-73
Екатеринбург (343)384-55-89

Иваново (4932)77-34-06
Ижевск (3412)26-03-58
Иркутск (395)279-98-46
Казань (843)206-01-48
Калининград (4012)72-03-81
Калуга (4842)92-23-67
Кемерово (3842)65-04-62
Киров (8332)68-02-04
Коломна (4966)23-41-49
Кострома (4942)77-07-48
Краснодар (861)203-40-90
Красноярск (391)204-63-61
Курск (4712)77-13-04
Курган (3522)50-90-47
Липецк (4742)52-20-81

Россия +7(495)268-04-70

Магнитогорск (3519)55-03-13
Москва (495)268-04-70
Мурманск (8152)59-64-93
Набережные Челны (8552)20-53-41
Нижний Новгород (831)429-08-12
Новокузнецк (3843)20-46-81
Ноябрьск (3496)41-32-12
Новосибирск (383)227-86-73
Омск (3812)21-46-40
Орел (4862)44-53-42
Оренбург (3532)37-68-04
Пенза (8412)22-31-16
Петрозаводск (8142)55-98-37
Псков (8112)59-10-37
Пермь (342)205-81-47

Казахстан +7(7172)727-132

Ростов-на-Дону (863)308-18-15
Рязань (4912)46-61-64
Самара (846)206-03-16
Санкт-Петербург (812)309-46-40
Саратов (845)249-38-78
Севастополь (8692)22-31-93
Саранск (8342)22-96-24
Симферополь (3652)67-13-56
Смоленск (4812)29-41-54
Сочи (862)225-72-31
Ставрополь (8652)20-65-13
Сургут (3462)77-98-35
Сыктывкар (8212)25-95-17
Тамбов (4752)50-40-97
Тверь (4822)63-31-35

Киргизия +996(312)96-26-47

Тольятти (8482)63-91-07
Томск (3822)98-41-53
Тула (4872)33-79-87
Тюмень (3452)66-21-18
Ульяновск (8422)24-23-59
Улан-Удэ (3012)59-97-51
Уфа (347)229-48-12
Хабаровск (4212)92-98-04
Чебоксары (8352)28-53-07
Челябинск (351)202-03-61
Череповец (8202)49-02-64
Чита (3022)38-34-83
Якутск (4112)23-90-97
Ярославль (4852)69-52-93



BENCH MODEL

The bench model of the EASY range maintains all the qualities of the machine with base combined with a smaller footprint.



OPTIONAL

Roller cutting device available for models with belt length of 1400mm and 1600mm.



Tablette

Ultra compact

Our "pocket" dough sheeter for small productions, ideal for restaurant and hotel kitchens that do not want to give up quality with little space.

Technical data

	U.M.	Tablette
Useful lamination space	mm	500
Flour tray capacity	Kg	3
Working dimensions AxBxC	mm	930x973x428
Support base dimension DxEx	mm	290x653
Dimensions at rest	mm	362x925x426 H
Packaging dimensions	cm	115x80x145 H
Net weight machine	Kg	87
Weight machine + packaging	Kg	105
Rated electrical power	kW	0,37
Supply Voltage	V	220 - 380
Frequency	Hz	50 - 60
Electrical phases		1 - 3

